

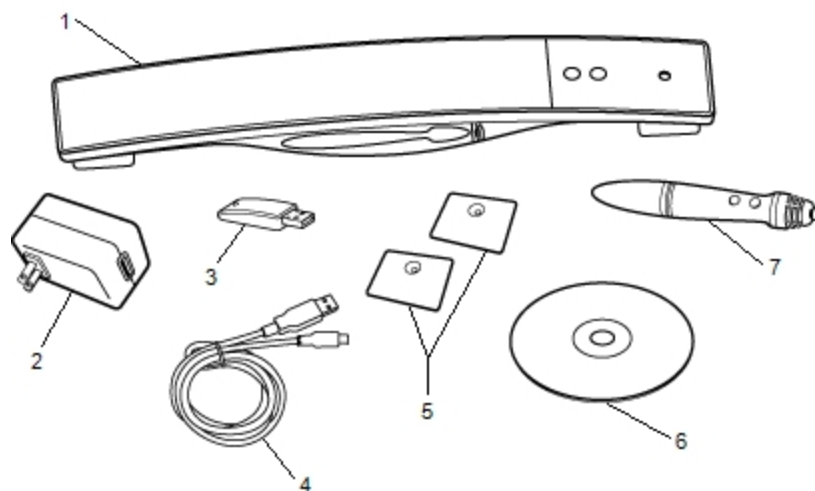
Chapter 3

MimioTeach

Using MimioTeach with a projector, you can deliver lessons and presentations directly from your whiteboard. Using MimioStudio Interactive mode, you control the movement of the cursor on your screen with the MimioTeach stylus, much like you would with a mouse at your computer.

What's Included

The MimioTeach package contains the following items:



1	MimioTeach bar	5	Mounting plates
2	USB power adapter	6	MimioStudio DVD
3	MimioHub	7	MimioTeach stylus
4	USB cable		

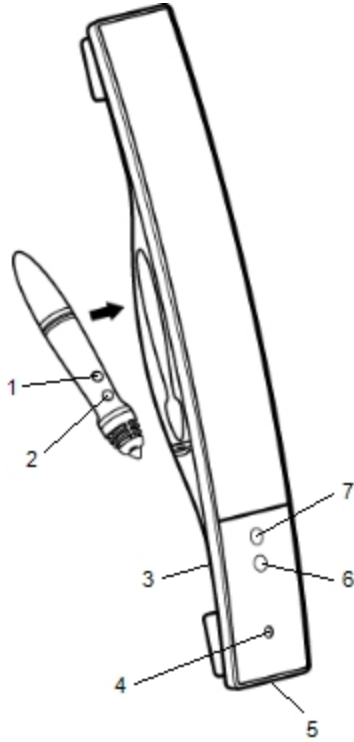
If you are missing any of the items above, contact Customer Support.

About MimioTeach

You can use the MimioTeach bar and stylus in MimioStudio Interactive mode to deliver lessons and presentations.

You can also use the MimioTeach bar with MimioCapture to capture notes from your whiteboard into MimioStudio Notebook. For more information about using MimioTeach with MimioCapture, see MimioCapture.

The following figure shows the major components of the MimioTeach.



1	Start Tools (button A)	5	USB/Power connector
2	Hover/Right-click (button B)	6	Launch
3	MimioHub dock	7	Calibrate
4	Power/Status light		

Status Lights

The status light visually shows the status of the MimioTeach bar.

Off	Not receiving power; USB/power cable is not connected or MimioTeach is turned off.
Solid Green	MimioTeach is connected and receiving power; MimioStudio software is running.
Flashing Green	MimioTeach is connected or connecting, and receiving power; MimioStudio software is not running.
Solid Amber	MimioTeach cannot find an available MimioHub.
Flashing Amber	MimioTeach is searching for an available MimioHub.

About MimioStudio Tools

With the various presentation tools found in MimioStudio Tools you can focus your audience on a specific area of the screen by displaying only certain parts of the screen. You can also annotate the screen with the drawing tools available in MimioStudio Tools using the Screen Annotation feature.

For more information about MimioStudio Tools, see [Marking Up the Display Using Screen Annotations](#).

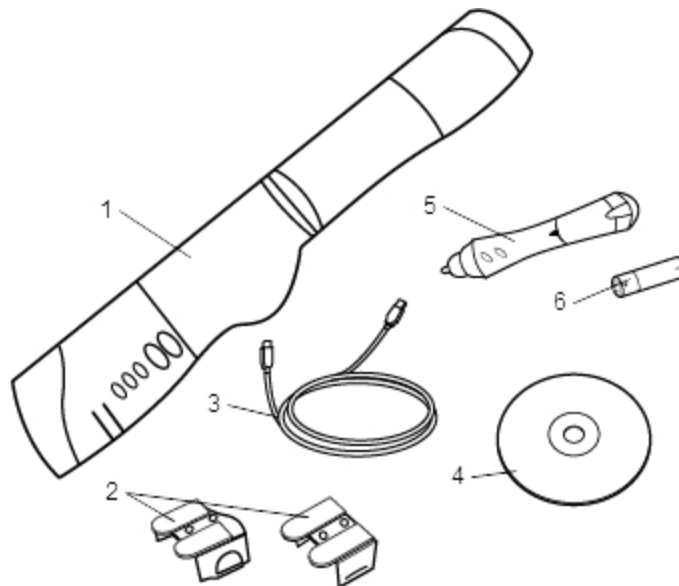
Chapter 4

Mimio Interactive

Using Mimio Interactive with a projector, you can deliver lessons and presentations directly from your whiteboard. Using MimioStudio Interactive mode, you control the movement of the cursor on your screen with the Mimio Interactive Mouse, much like you would with a mouse at your computer.

What's Included

The Mimio Interactive package contains the following items:



1	Mimio Interactive bar	4	MimioStudio DVD
2	Mounting brackets	5	Mimio mouse
3	USB cable	6	AA battery

If you are missing any of the items above, contact Customer Support.

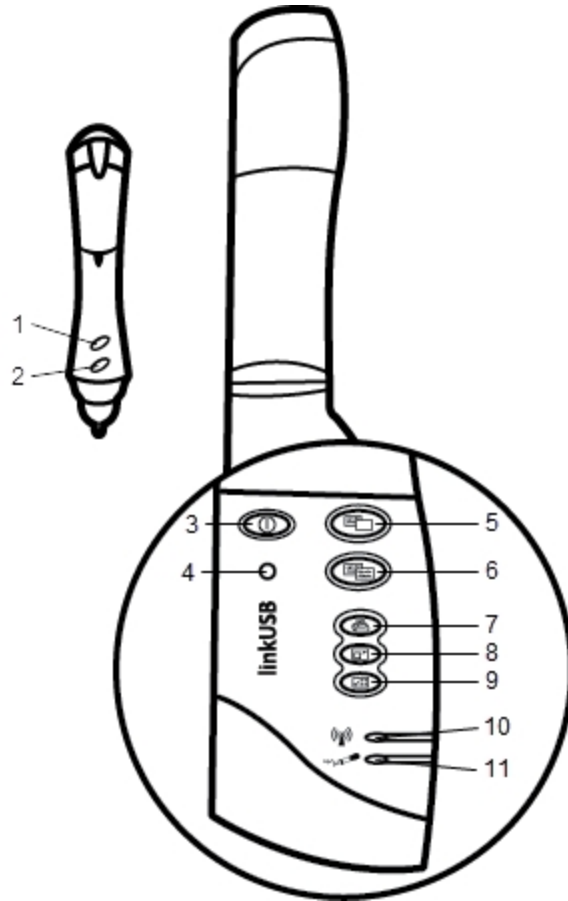
About Mimio Interactive

You can use the Mimio Interactive bar and mouse in MimioStudio Interactive mode to deliver lessons and presentations.

You can also use the Mimio Interactive bar with Mimio Capture Kit to capture notes from your whiteboard into MimioStudio Notebook. For more information about using Mimio

Interactive with Mimio Capture Kit, see Mimio Capture Kit.

The following figure shows the major components of Mimio Interactive.



1	A button (right-click)	7	Print page (Spotlight tool)
2	B button (hover)	8	Resize window (Reveal tool)
3	Power button/status light	9	Interactive
4	Learning button	10	Data transmission status light
5	New page (MimioStudio Tools)	11	Memory status light
6	Copy page (Annotation mode)		

Status Lights

The status lights visually show the status of the Mimio Interactive bar.

Power Status Lights

Off	Not receiving power; USB/power cable is not connected, batteries need replaced,
-----	---

	or Mimio Interactive is turned off.
Solid Green	Mimio Interactive is receiving power.
Solid Amber	Mimio Interactive is receiving power; one to five hours of battery life remaining.
Flashing Amber	Mimio Interactive is receiving power; less than one hour of battery life remaining.

Data Transmission Status Lights

Off	Mimio Capture Kit pen or Mimio Interactive mouse is not in use.
Solid Green	Mimio Capture Kit pen or Mimio Interactive mouse is in use.
Solid Amber	Mimio Capture Kit pen or Mimio Interactive mouse battery is low.

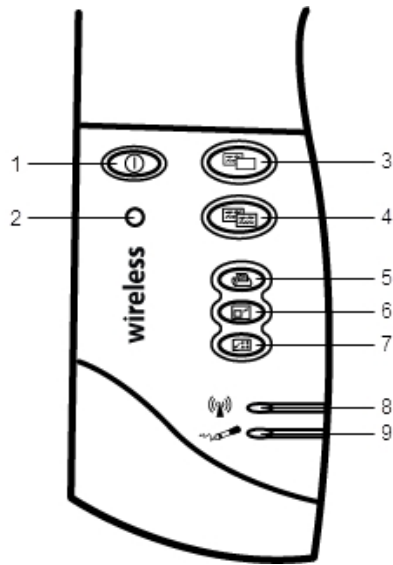
Memory Status Lights

Off	Mimio Interactive bar memory is empty.
Flashing Green	Data is being downloaded from the Mimio Interactive bar to your computer.
Solid Green	Mimio Interactive bar memory is less than 80% full.
Solid Amber	Mimio Interactive bar memory is between 80% and 90% full.
Flashing Amber	Mimio Interactive bar memory is over 90% full.

About Mimio Wireless

You can use the Mimio Wireless module and wireless receiver to connect the Mimio Interactive bar wirelessly to your computer.

The following figure shows the major components of Mimio Wireless.



1	Power button/status light	6	Resize window (Reveal tool)
2	Learning button	7	Interactive
3	New page (MimioStudio Tools)	8	Link status light
4	Copy page (Annotation mode)	9	Data transmission status light
5	Print page (Spotlight tool)		

Status Lights

The status lights visually show the status of the Mimio Interactive bar.

Power Status Lights

Off	Not receiving power; USB/power cable is not connected, batteries need replaced, or Mimio Interactive is turned off.
Solid Green	Mimio Interactive is receiving power.
Solid Amber	Mimio Interactive is receiving power; one to five hours of battery life remaining.
Flashing Amber	Mimio Interactive is receiving power; less than one hour of battery life remaining.

Link Status Lights

Solid Green	Mimio Interactive is connected to the wireless receiver.
Flashing Green	Mimio Interactive is establishing a connection to the wireless receiver.

Solid Amber	Mimio Interactive cannot find an available wireless receiver.
-------------	---

Data Transmission Status Lights

Flashing Green (slowly)	Mimio Capture Kit pen or Mimio Interactive mouse is not in use.
Flashing Green (quickly)	Mimio Capture Kit pen or Mimio Interactive mouse is in use.
Solid Amber	Mimio Capture Kit pen or Mimio Interactive mouse battery is low.

About MimioStudio Tools

With the various presentation tools found in MimioStudio Tools you can focus your audience on a specific area of the screen by displaying only certain parts of the screen. You can also annotate the screen with the drawing tools available in MimioStudio Tools using the Screen Annotation feature.

For more information about MimioStudio Tools, see [Marking Up the Display Using Screen Annotations](#).

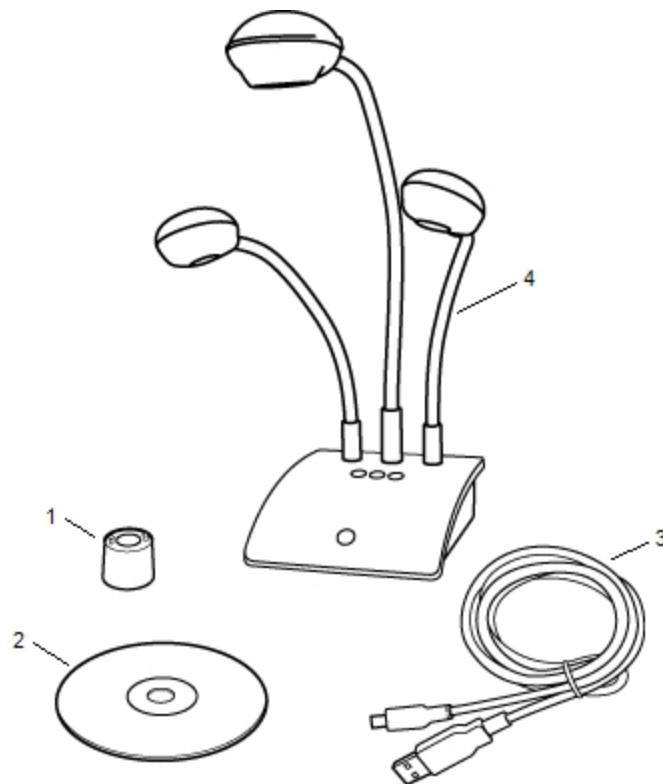
Chapter 8

MimioView

MimioView works seamlessly with MimioStudio software to display documents, three-dimensional objects, and microscope slides for your entire class to view. You can use MimioView to display still images or live video.

What's Included

The MimioView package contains the following items:



1	Microscope adapter	3	USB cable
2	MimioStudio DVD	4	MimioView document camera

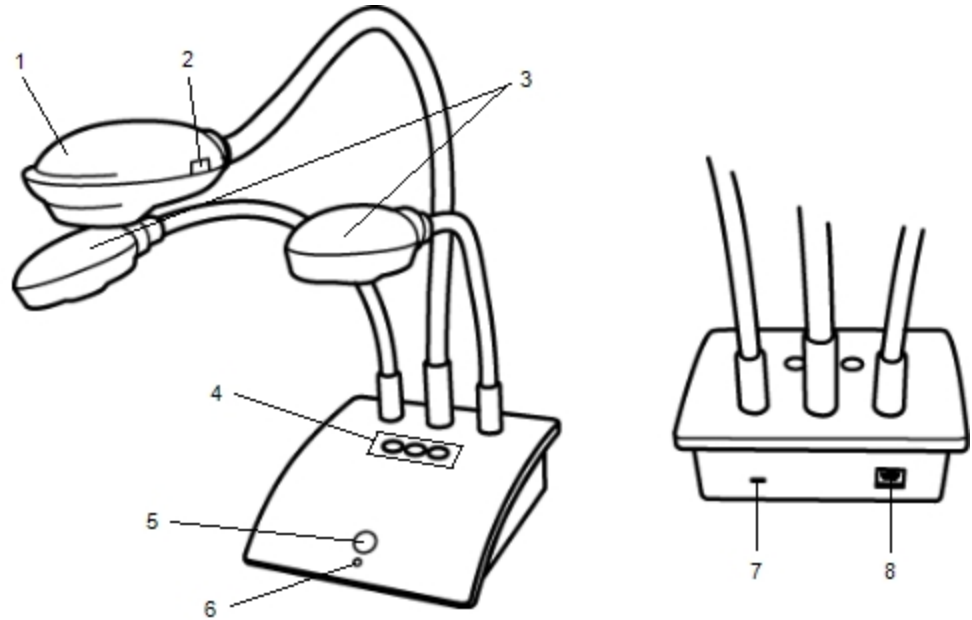
If you are missing any of the items above, contact Customer Support.

About MimioView

You can use the MimioView camera to display documents, three-dimensional objects, and microscope slides.

The MimioView camera and lamps are each attached to the MimioView base by a flexible, gooseneck. This allows you to precisely position the camera and each lamp for the best possible view of the object you are displaying.

The following figure shows the major components of the MimioView camera.



1	Camera head	5	View button
2	Auto focus	6	Status light
3	LED lamps	7	Kennsington lock slot
4	Auto tune, Rotate, and Freeze buttons	8	Micro-B USB port

Status Lights















The status light visually shows the status of the MimioView camera.

Off	Not receiving power; USB cable is not connected or computer is turned off.
Solid Green	MimioView is connected and receiving power; MimioStudio software is running.
Flashing Green	MimioView is connected and receiving power; MimioStudio software is not running.

About MimioStudio View

The View window displays the image captured by the MimioView camera. From the View window, you can rotate or zoom the image, mark up the image using MimioStudio Tools, adjust the contrast and brightness settings, freeze the image, and so on.

The following table describes the major features of the MimioStudio View window.

	Lamps on/off		Copy image
	Auto tune		Zoom in
	Adjust brightness, contrast, and focus		Zoom out
	Rotate counter-clockwise 90 degrees		Zoom to fit window
	Rotate clockwise 90 degrees		Open MimioStudio Tools
	Freeze image		Record live image
	Clear all markups		View full screen

Getting Started

Review the following topics to install and start using MimioView.

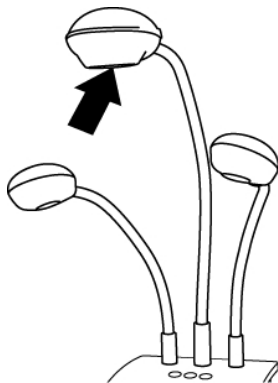
- Installing MimioView
- Opening the View Window
- Closing the View Window

Installing MimioView

Once you have installed the MimioStudio software on your computer, you can quickly install MimioView.

To install MimioView

1. Remove the protective covering from the MimioView camera lens.



2. Plug the USB cable into the Micro-B USB port on the back of the camera base.